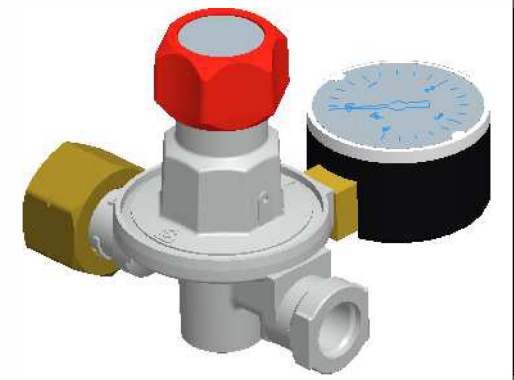
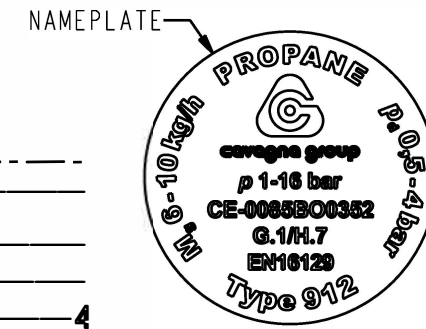
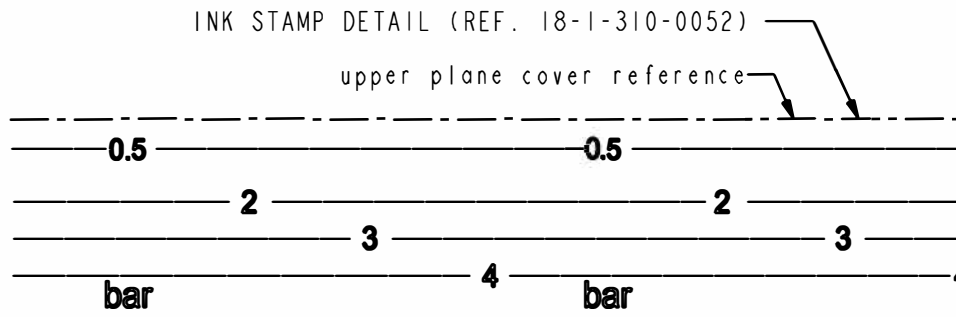
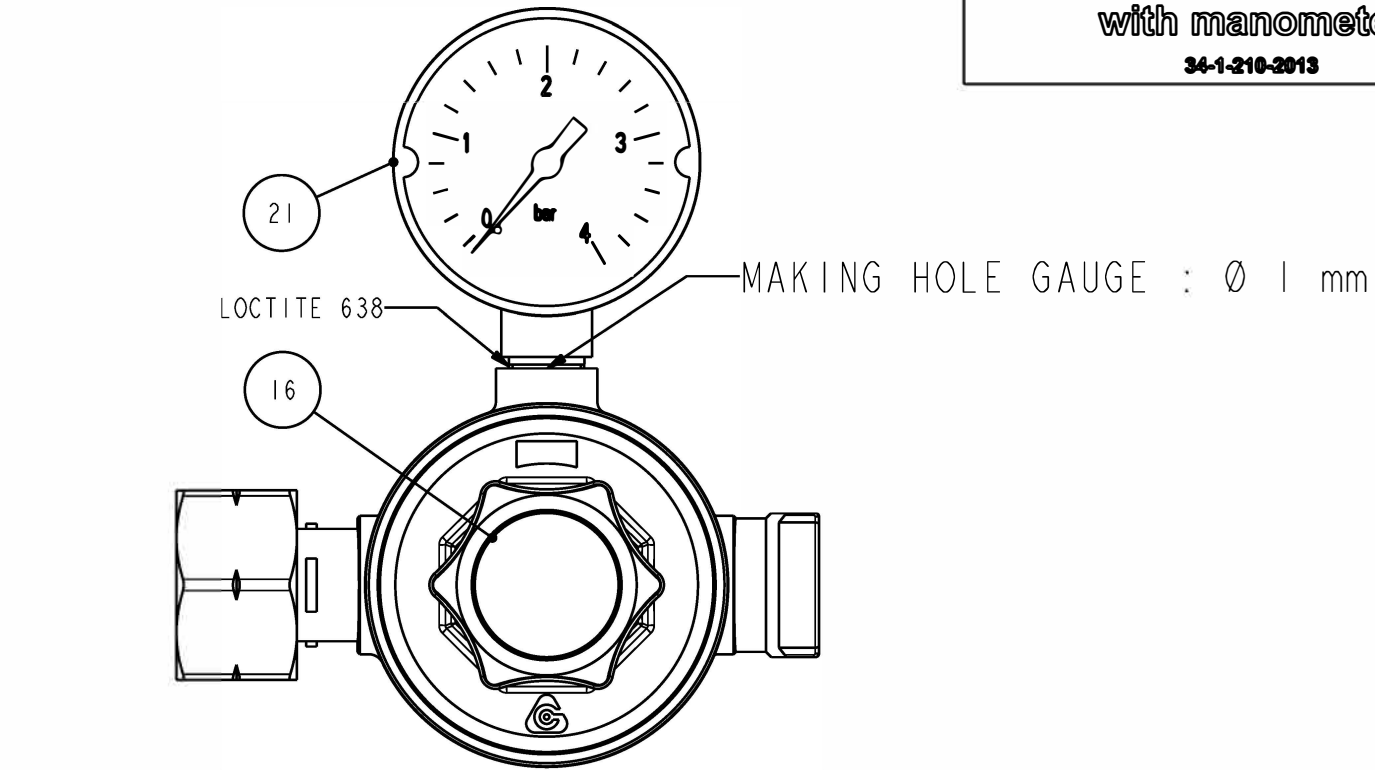


SINGLE BOX LABEL

**H.P. REGULATOR
TYPE 912 - PROPANE
0.5-4 bar 6-10 kg/h
INLET: W 20x1/14-L.H.
OUTLET: G 1/4 fem.
with manometer
34-1-210-2013**



NO	NO PRODUCT	DENOMINATION	Q.TY
1	00-1-150-0373	MACHINED BODY FOR TYPE 91 BROACHED - G 1/4 F	1
2	04-1-110-0529	O RING	2
3	15-1-110-0028	RONDELLA	1
4	03-1-950-0045	S/I PISTONCINO (MOD. 91)	1
5	04-1-110-0523	O RING	1
6	16-1-110-0307	TAPPO MOD. 91	1
7	09-1-950-0167	S/A DIAPHRAGM FOR TYPE 91	1
8	07-1-110-0245	MOLLA TARATURA MOD. 912 0.5±4 bar	1
9	08-1-110-0046	PREMIMOLLA	1
10	14-1-950-0004	S/I VITE PREMIMOLLA	1
11	01-1-150-0257	MACHIEND COVER FOR ADJUSTABLE 91	1
12	24-1-110-0001	WHITE ALUMINIUM RAL 9006	1
13	18-1-310-0052	TIMBRATURA DA ESEGUIRE SUL COPERCHIO TIPO 915	1
14	13-1-110-0069	NOTTOLINO DI REGOLAZIONE	1
15	14-1-110-0034	SCREW-M5 X 8 AUTOFORMANTE SEZIONE TRILOBATA	1
16	18-1-110-2814	NAMEPLATE ADHESIVE FOR TYPE 912	1
17	04-1-110-0502	O RING	1
18	16-1-950-0092	S/I RACCORDO BROCCIATO	1
19	04-1-110-0007	SEALING WASHER	1
20	10-1-110-0005	UNION NUT - W 20 X 1/14'' G1-EN 12864	1
21	50-1-110-0003	MANOMETRO PERNO RADIALE	1
22	34-1-110-1220	INSTRUCTION TYPE 912 - EN16129 (EN-IT-GR)	1
23	23-1-210-0080	STANDARD SINGLE BOX	1
24	34-1-210-2013	SINGLE BOX LABEL FOR TYPE 912	1
25	23-1-510-0002	STANDARD BOX (R34)	1

	DENOMINATION		INDUSTRIAL HP ADJUSTABLE REGULATOR				PROPANE 0.5-4 bar 6-10 kg/h	
	RECA		N.A.		N.A.		N.A.	
PERFORMANCE DOC.	MODEL	ORIFICE	INLET	OUTLET	SHARED	PROD. INT GROUP		
91-006	912	3	W20X1/14" L.H.	G 1/4 FEMALE	N.A.	-		
PROG. EVOLUTION	COUNTRY	COUNTRY SPECIFIC	WEIGHT	SCALE	MODIFY FILE	PRODUCT NO	REV	
DEFINITIVE	GRECIA	EN16129	-	1:1	DM05342	91-1-590-1096	2	
	PROJECT NO	RELEASE LEVEL	DRAWN BY	VERIFIED BY	APPROVED BY	DATE		
	A108	APPROVED+	RUSSO R.	TOMASELLI L.	SCHLICK B.	04/12/15		